

automatic TECHNOLOGY

ROLLING DOOR OPENERS

TRADE REFERENCE GUIDE



TECHNICAL SPECIFICATIONS

GDO-8	GDO-6v4	GDO-12	GDO-10
-------	---------	--------	--------



*indicative door size only

		GDO-8	GDO-6v4	GDO-12	GDO-10
MOTOR	Motor type	24V DC	24V DC	24V DC	24V DC
	Short term peak force	550N	600N	1400N	1000N
	Drum rotation	3.25	3.25	6	5.5
	Standby Power	2.8W	2.2W	<1W	3.5W
	Opening speed (mm/sec)	100	120	90/102/118	Variable speed using PG3
DOOR	Max Door Weight kg	100	110	270#	270#
	Max Door * Size m ²	16.5	16.5	28	28
	Wind-locked door** m ²			22	22
INSTALLATION	Minimum Side room mm	40	40	35	127/140
	Left hand or right hand side installation	Yes	Yes	Yes	Yes
	Removable Fork Length mm	-	-	108	88
WARRANTY	Warranty*	2 year / 5,000 cycles	7 year / 20,000 cycles	2 year / 10,000cycles	2 years / 5000 cycles
FEATURES	Smart Phone Control	No	Yes (optional)	Yes (optional)	No
	Courtesy Light	Yes (optional)	LED	LED	Relay output
	Battery Back up	No	Yes (optional)	Yes (optional)	integrated
	Safety Beams Compatibility	1 x 3-wire	2 sets wireless/ 1 set 2-wire	1 set wireless/ 2 sets 2-wire 3 sets total	3 wireless/ 3 x 2-wire 3 sets (3 wire with L1 console)
	Solar	-	Yes (optional)	-	-
	IP Rating	IP24	-	-	-
CONTROLS	4-button remote (included)	2 entry level	2 premium	2 premium	2 entry level
	Wall Button	Yes (optional)	Yes (optional)	Included	No
	Logic Console	No	No	No	Included
	Key switch	No	No	Yes (optional)	Yes (optional)
	Transmitter Capacity	8	64	64	511
	Protocol	TrioCode™ 128	TrioCode™ 128	TrioCode™ 128 and Tritran™ +	TrioCode™ 128

** Windy conditions can activate the obstruction feature of the opener # Gross door weight, incl. all fittings
+ Warranty terms are available from www.automatictechnology.com.au

SELLING GUIDE



**GDO-8
ShedMaster®**



**GDO-6v4
EasyRoller®**



GDO-12 Hiro™



GDO-10 Toro®

**THE OPENER THAT
GOES WHERE
OTHERS WON'T**

Weather resistant

Keyed lockout
Slim and compact
design

**GO-TO
RESIDENTIAL
ROLLING DOOR
OPENER**

Slim profile
Reliable operation
Convenience

Compatible with
Series 2 upgrades

**SLIM BUT
POWERFUL TO
SUIT DEMANDING
APPLICATIONS**

Slimmest profile
Superior pulling
power
Energy efficient

Smart (optional)

**SOPHISTICATED
COMMERCIAL
ROLLER DOOR
OPENER**

Powerful motor
Reliable operation
Safe and secure

Commercial logic
control

Designed for all
weather

**SELL
UP**
→

Go to
residential
rolling door
opener

**SELL
UP**
→

Extra pulling force
Slimmer
1st light
commercial
opener with smart
phone control

**SELL
UP**
→

Power combined
with commercial
features
BBU standard
3 sets wireless
safety beams

Exposed locations

Residential

**Heavy Duty
Residential
Light Commercial**

Commercial



GDO-12 Hiro™



GDO-6v4 EasyRoller®



GDO-8 ShedMaster®



GDO-10 Toro®



GDO-10 Toro®



GDO-6v4 EasyRoller®



GDO-8v3 ShedMaster®

If you need a solution to last in harsh conditions then this is the ideal opener for your door. With a tough, IP24 rated weather resistant housing and a compact design, the ShedMaster® goes where other openers can't go. As this model can be installed in exposed locations, a keyed lockout is included to stop unwanted persons reaching over the fence and disengaging the door to manual mode. The control panel can be similarly locked out for added security.



KEY FEATURES

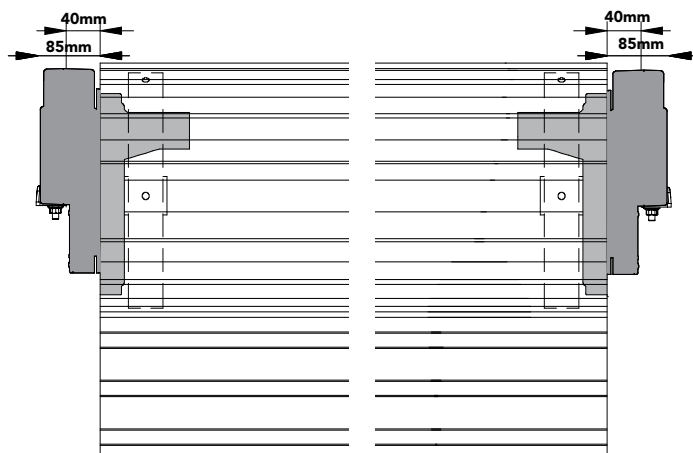
- » IP24 weather resistant housing
- » Keyed and electronic lockout for added security
- » Slim fit design
- » Secure and reliable TrioCode™ 128 remote controls
- » Max peak force 550N; Max door weight 100kg

APPLICATION

Perimeters doors and open carports
Small sheds
Retrofit solution for mini warehouses

INSTALLATION

- » Left hand or right hand side installation



Minimum Side room

POPULAR ACCESSORIES



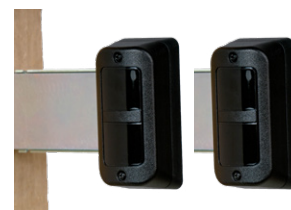
Light Module



Wireless Keypad



2-Button Remote



Safety Beams

+ Warranty terms are available from www.automatictechnology.com.au

GDO-6v4 EasyRoller®

Designed to deliver a slim profile, reliability, security and convenience, it is compatible with our Smart Phone Control Kit and Wireless Safety Beams. This version incorporates bright LED courtesy lighting and a service indicator lets you know when it is time to service your door and opener.



KEY FEATURES

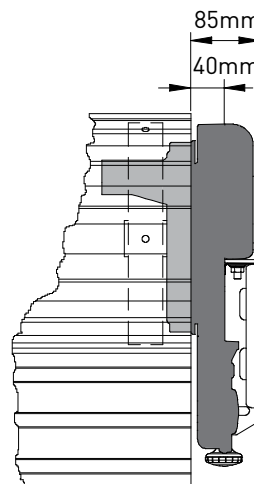
- » Operates the majority of residential rolling doors. Suits single and double doors up to 110kg, approx. 16.5m²*
- » Easy Access Transmitter and premium remote controls with patented TrioCode™ 128 encryption technology
- » Reliable 600N motor backed by 7 year warranty*
- » LED courtesy light
- » Compatible with a wide range of accessories

APPLICATION

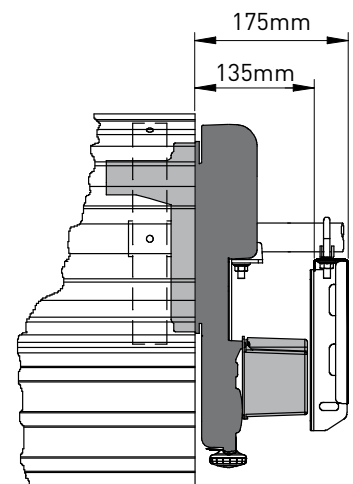
Residential

INSTALLATION

- » Left hand or right hand side installation



Minimum Side room



Recommended Side room

POPULAR ACCESSORIES



Battery Back Up



Safety Beams
(wireless, 2 wire)



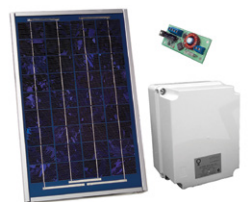
Smart Phone
Control Kit (hub,
transceiver)



Wireless wall
button



Wireless Keypad



Solar

*indicative door size only + Warranty terms are available from www.automatictechnology.com.au

GDO-12 Hiro™

Hiro™ is not only the slimmest and most powerful opener in the range, it paves the way in control and connectivity delivering smart phone control in light commercial applications (as an optional upgrade). If you need to operate a very large roller door or a wind-locked door, or have a site with low side room requirement, Hiro™ is the ideal choice.

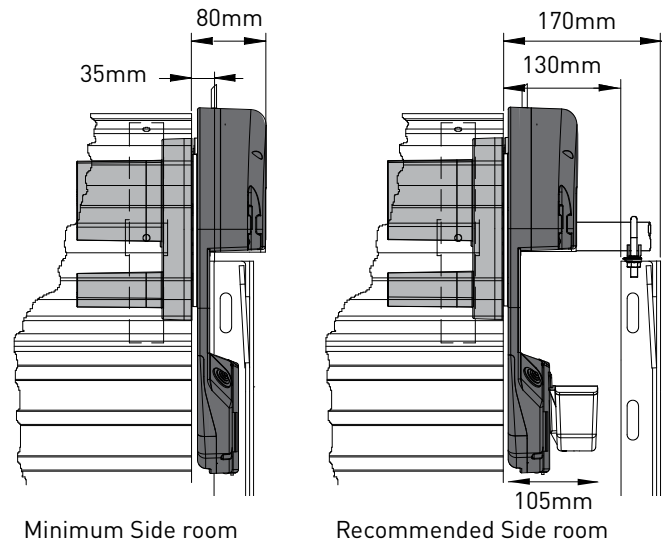


KEY FEATURES

- » 1400 Short term peak force to reliably operate large doors up to 28m²*, wind-locked + doors up to 22m²**
- » Slim fit design (35mm only from the edge of the curtain to the edge of the bracket)
- » Variable opening speed
- » Smart phone compatible
- » Optional slide-on or wall mount battery back up
- » Large removable forks suits most drum wheels
- » Courtesy LED light

INSTALLATION

- » Left hand or right hand side installation
- » Plug and play Battery back up with wall mount option



APPLICATION

Heavy Duty Residential
High wind areas

Light Commercial
Prefab

POPULAR ACCESSORIES



Smart Phone Control
Hub only



Battery Back Up



Safety Beams
(wireless, 2 wire)



Key switch



Wireless wall
button

*indicative door size only **Windy conditions can activate the obstruction feature of the openers
+ Warranty terms are available from www.automatictechnology.com.au

GDO-10v3 Toro™

The Toro® offers sophisticated commercial roller door opening technology and superior pulling power. With built-in battery back-up and a wall-mounted control panel you can program a variety of operating modes for your security and safety. The logic control system, with LCD screen, can manage up to 511 TrioCode™ 128 garage door remotes, and offers time clock controlled access programs, adjustable speed and obstruction.



KEY FEATURES

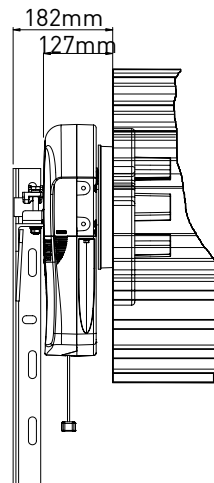
- » Integrated Battery Back Up
- » Commercial logic console with LCD screen
- » Time clock controlled access programs
- » Adjustable speed for greater control of the door operation.
- » Optional safety beams (up to 3 sets)
- » 1000N Short term peak force, suits doors up to 28m²*, wind-locked doors up to 22m^{**}

APPLICATION

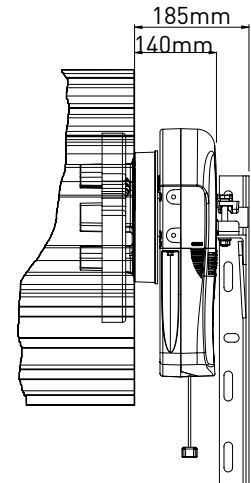
Commercial
Large doors
Mini warehouse

INSTALLATION

- » Left hand or right hand side installation



Minimum sideroom requirements for left hand side installation



Minimum sideroom requirements for right hand side installation

POPULAR ACCESSORIES



Safety Beams
(wireless, 2 wire)



Lockable Control Box



Heavy Duty "Deadman"
C03M Console



Key Switch

+ Warranty terms are available from www.automatictechnology.com.au

Accessories guide



	GDO-8	GDO-6v4	GDO-12	GDO-10
Smart Phone Control	x	✓	✓	x
Battery Back up	x	✓	✓	Integrated
Non Contact Safety beams	✓	✓	✓	✓
Lighting module	✓	Integrated	Integrated	x
Solar	x	✓	x	x
COMMERCIAL CONTROL				
Logic console	x	x	x	✓
Key Switch Control	x	x	✓	✓

THE LATEST IN SMART AUTOMATION FOR



HOME

PRODUCT RECOMMENDATION:
GDO-6v4 + Smart Phone Control Kit



BUSINESS

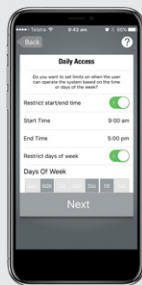
PRODUCT RECOMMENDATION:
GDO-12 + Smart Hub

Open, close and monitor your door, no matter where you are#

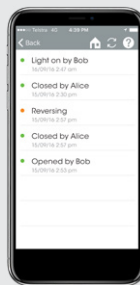
5 smart features that will put you in control and will make your life easier.



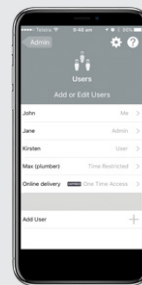
Receive alerts if the door is left open or is obstructed



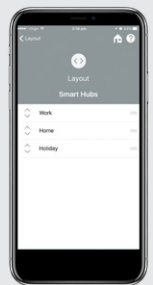
Schedule / Grant Access



Activity Log



Add multiple users with varying levels of access and their own password.



One app to manage multiple doors or gate in multiple locations

DOWNLOAD AND TRY IN DEMO MODE NOW!



Scan QR code to download App for iOS devices



Scan QR code to download App for Android devices



* Subject to cellular and WiFi connection and availability. Note - Kit includes Smart Hub & accessories. Phone not included.

ACCESSORIES SELLING GUIDE

RELIABLE AND SECURE ACCESS with genuine TrioCode™128 remote controls



- » Patented TrioCode™128 Technology avoids interference from wireless devices within your home and prevents code grabbing.
- » Partial opening allows your pet to enter or exit the garage.
- » Control your gate and garage door from the same remote.
- » Go for a walk, run or ride with the water-resistant 2-Button Remote.

ENTRY WITHOUT A REMOTE with a Wireless Keypad



- » Entry keypad provides secure access without a remote, via Pin Code
- » Add/delete users, you can create a unique Pin Code for each.
- » No need to worry about your kids losing a remote control.
- » Backlit display for use at night or in poorly lit areas.
- » Wireless for ease of installation.

SMART PHONE CONTROL FEATURES



- » Control your door or gate from your smart phone while you are away from home!
- » Receive alerts when door is left open or is obstructed.
- » Add multiple users and monitor who opens your door and when.
- » Manage multiple locations such as your house and holiday house.
- » One time access code gives access to your trusted professional (electrician, gardener, cleaner)

SAFETY FIRST Install non contact Safety Beams



- » Safety Beams detect movement or obstruction of the door and reverse door to avert serious damage being done.
- » Protect your family, car and pets
- » Use Safety Beams to trigger the auto-close mode after a vehicle has left the garage.
- » Recommended when using the Smart Phone Control Kit.

OPERATION DURING POWER OUTAGE with Battery Back up



- » Do you leave in a bush fire prone area or in an area with unreliable power supply?
- » As soon as the mains drop out, the Battery Backup system takes over, even if the door or gate is moving at the time.
- » Don't get caught off guard, install a Battery Backup for peace of mind.



Wireless Safety Beams



Smart Phone Control Option



Remote control options



Wireless Keypad



Battery Back Up



Lockable control box for commercial applications

OPENERS FEATURES



DC Motor

DC motors deliver as much power as old-style AC motors, but with less noise and vibration.



Soft Start/Soft Close

Ramping speed up and down at the start and end of each cycle reduces stress on the door and operator for longer life, and makes for quieter operation.



Intelligent Safety System (ISS)

If contact is made with an obstruction while moving, the opener either stops or reverses the door to reduce injury to persons and damage to property.



Door Profiling

Every door is unique and needs different amount of force throughout each open and close cycle. The amount of power needed by the door is learnt during setup and is automatically adjusted.



Vacation Mode

Locking out all but one master transmitter, vacation mode ensures the openers cannot be operated until you return.



LED Courtesy Lights

High efficiency LEDs provide a bright light to illuminate your garage, as well as featuring a dimming function. LED life cycles are longer than traditional globes.



Auxiliary Output

The auxiliary mode can activate other devices, such as an existing garage door opener or alarm system.



Battery Back Up

Charging from the mains, the battery back up takes over automatically in the event of power failure.



Slim Fit

Slim fit designs are suitable for applications where side room is limited and require as little as 40mm between the door curtain and inside of the bracket.



Auto-Close Mode

'Auto-Close,' when selected allows automatic closing of the door upon entering or exiting the garage. This function requires PE Beams to be installed.



PE Assist Safety Beams

The inbuilt 'PE Assist' function enables the opener to beep when aligning Safety Beams. The wireless Safety Beams makes the installation easier and neater.



Multiple Door Speed

The default speed of the openers has been set to suit the majority of applications. However, there are three speed modes available. The speed settings can only be changed before setting the travel limits.



Smart Phone Control Option

Our smart phone control kit takes garage door control to the next level by allowing you to monitor and control your garage door from home or remotely. Supports multiple doors in multiple locations and controls compatible ATA gate openers.



Service Reminder

Like a car, an opener needs periodic servicing to optimise their performance and ensure valid warranty. A service schedule can be programmed using the Auto-Programmer™. Our openers let you know when a service is due through audible and visual reminders.

TRADE SUPPORT



PG3 Auto-Programmer™



Software Upgrades

New upgrades are released for products which provide enhancements or new features. They can be applied onsite by a technician using the Auto-Programmer™.



Diagnostic tool

The Auto-Programmer™ is a time saving diagnostic and maintenance tool that will prove invaluable for installers and service technicians in the field. The tool allows you to accurately count openers cycles, review opener operation, restore transmitters.

We understand the importance of reliability, performance and expert support when you need it.



Technical Support

Experienced field service technicians and call centre operators provide phone support.

Call 1300 133 944



automatic TECHNOLOGY

www.automatictechnology.com.au | 1300 133 944

Warranty terms are available from www.automatictechnology.com.au

The benefits of this warranty are in addition to other rights and remedies under any applicable law. Our goods come with guarantees that cannot be excluded under the Australian Consumer Law. You are entitled to a replacement or refund for a major failure and compensation for any other reasonably foreseeable loss or damage. You are also entitled to have the goods repaired or replaced if the goods fail to be of acceptable quality and the failure does not amount to a major failure.

©2019 Automatic Technology (Australia) Pty Ltd. All rights reserved. The Automatic Technology logos, "smart simple secure" wordage, feature icons, Shedmaster®, Toro® Hiro™, EasyRoller® & TrioCode™ are trade marks and registered trade marks of Automatic Technology (Australia) Pty Ltd. No part of this brochure may be reproduced without prior permission. In an ongoing commitment to product quality we reserve the right to change specification without notice. E&OE. 6-8 Fiveways Boulevard, Keysborough, Victoria, 3173. Ph: +61 (0) 3 9791 0200. Fx: +61 (0) 3 9791 0250. 04569 Pod Creative 04569.